

# HEICO

## SEAL RING

Turbine Kinetics Part Number: DEC11-019-501

General Electric Part Number: 1340M69P03

**Eligibility:**

[See FAA PMA Supplement](#)

**IPC Reference:**

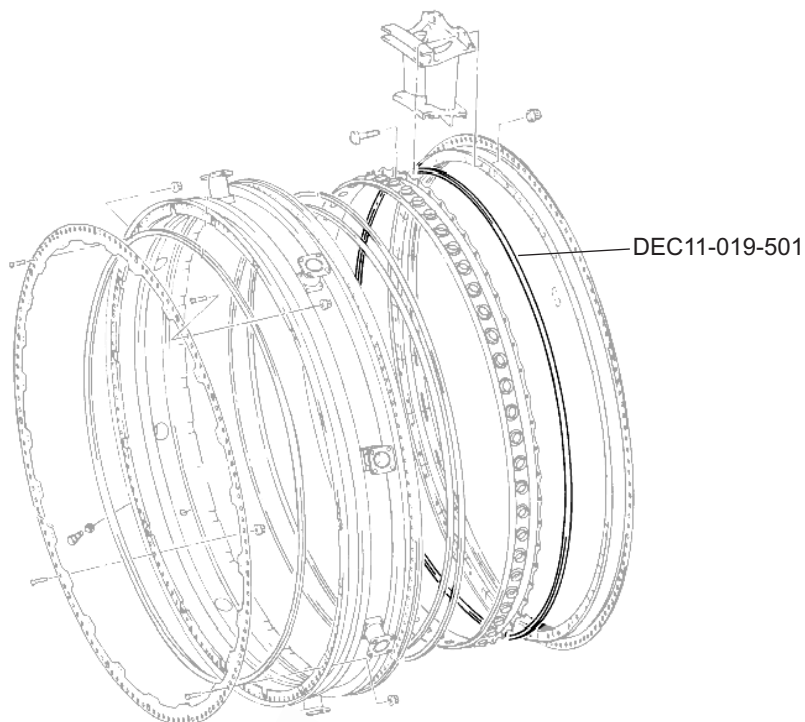
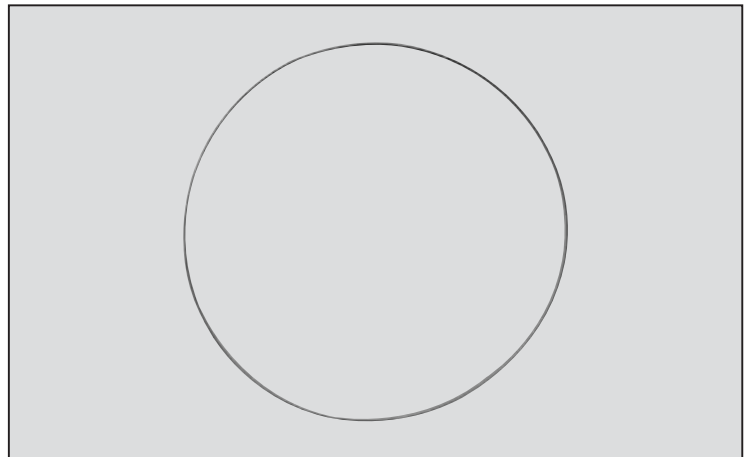
CF6-72-52

B747-72-50

B767-72-50

**Quantity:**

1



**Location:**

Nozzle and Plug Assy-GE CF6-80C2  
HPT Stage 2

