

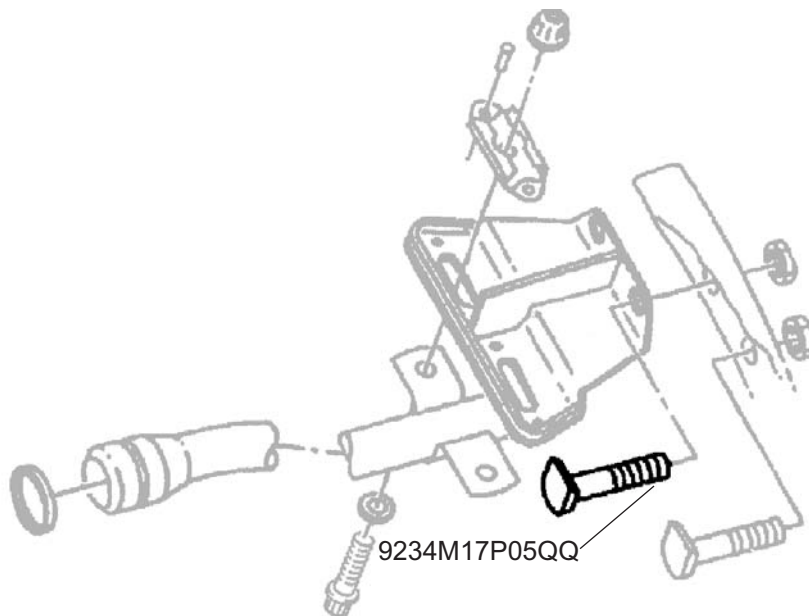
BOLT

Turbine Kinetics Part Number 9234M17P02QQ, P03, P05QQ
General Electric Part Number 9234M17P02, P03, P05

Model Eligibility:
See FAA/PMA Supplement

IPC Reference:
CF6-80-72-00
CF6-80-72-34

Quantity Per Engine:
As Required



Engine Location:
Varies

