

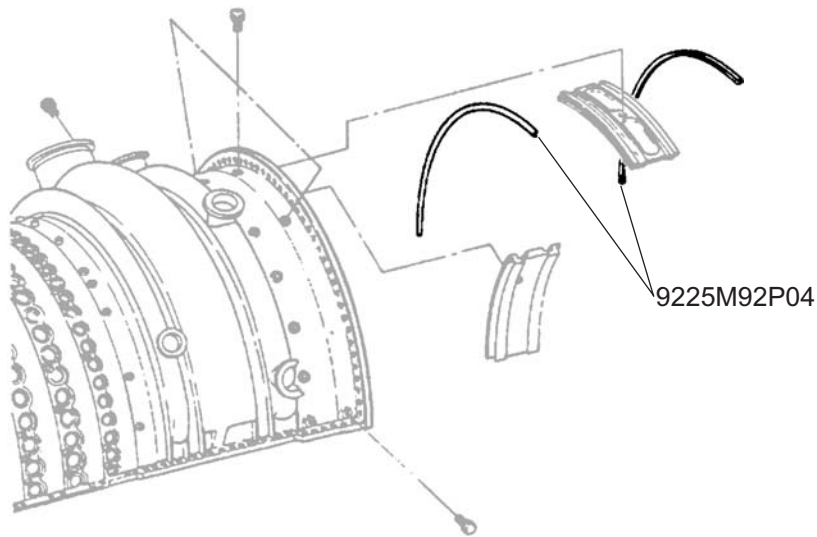
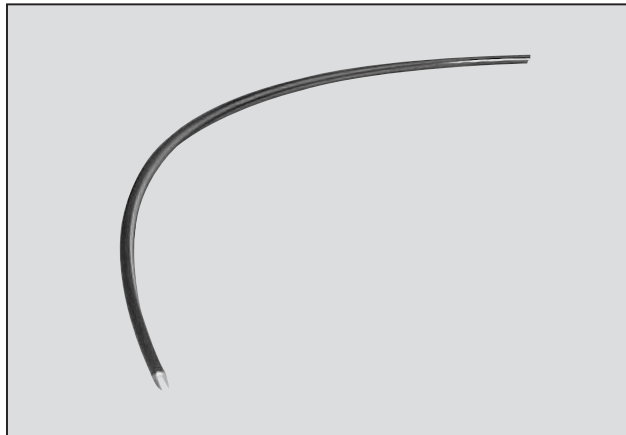
GUIDE

Turbine Kinetics Part Number 9225M92P04-P12QQ
General Electric Part Number 9225M92P04-P12

Engine Eligibility:
See FAA/PMA Supplement

IPC Reference:
CF6-80A-72-32
CF6-80A-72-34

Quantity Per Engine:
As Required



Engine Location:
Stator Assembly-Compressor
Van and Compressor Rear
Frame

