

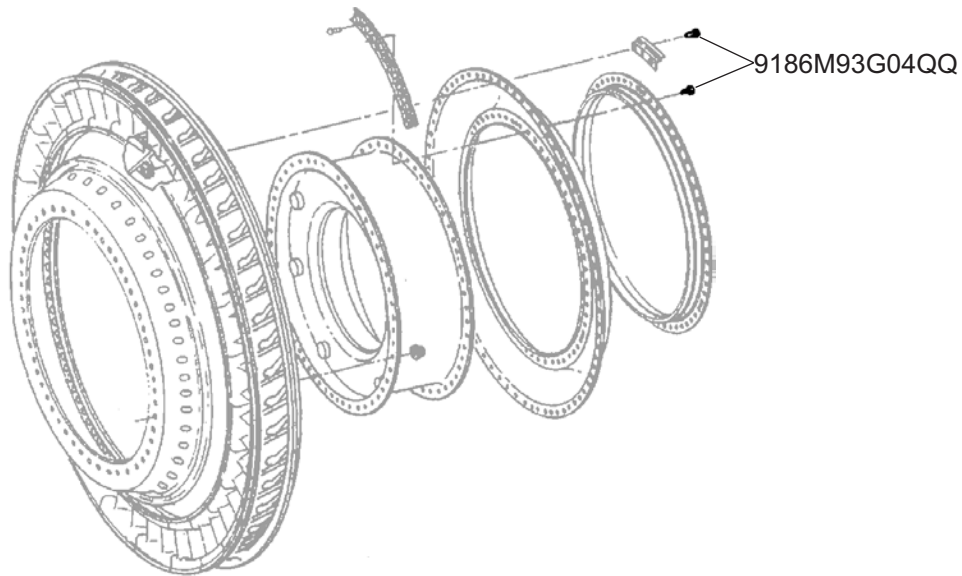
## SCREW, MACHINE

Turbine Kinetics Part Number 9186M93G04QQ  
General Electric Part Number 9186M93G04

**Engine Eligibility:**  
See FAA/PMA Supplement

**IPC Reference:**  
CF6-45/50-72-56  
CF6-80A-72-56  
CF6-80C2-72-34  
CF6-80E-72-00

**Quantity Per Engine:**  
22 to 168



**Engine Location:**  
Rotor/Stator Assembly-LPT  
and Compressor Rear Frame

