

RETAINER-SEAL

Turbine Kinetics Part Number 491C1343016-001KT
Middle River Aircraft Systems Part Number 491C1343016-001

Eligibility:

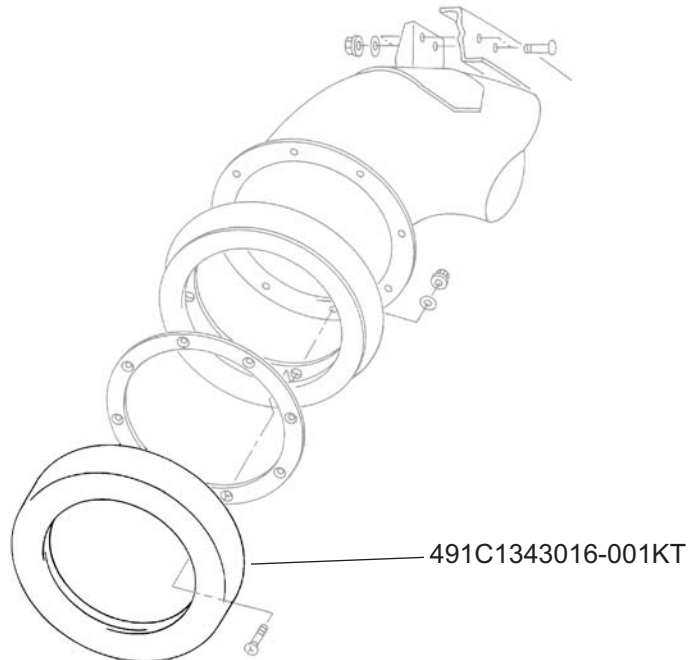
[See FAA/PMA Supplement](#)

IPC Reference:

CF6-78-32

Quantity:

1



Location:

Fan Reverser Assembly-LH