

INSULATION BLANKET - THERMAL, D SUMP

Thermal Structures Part Number 4-802027-5

General Electric Part Number 9181M84P01

Engine Eligibility:

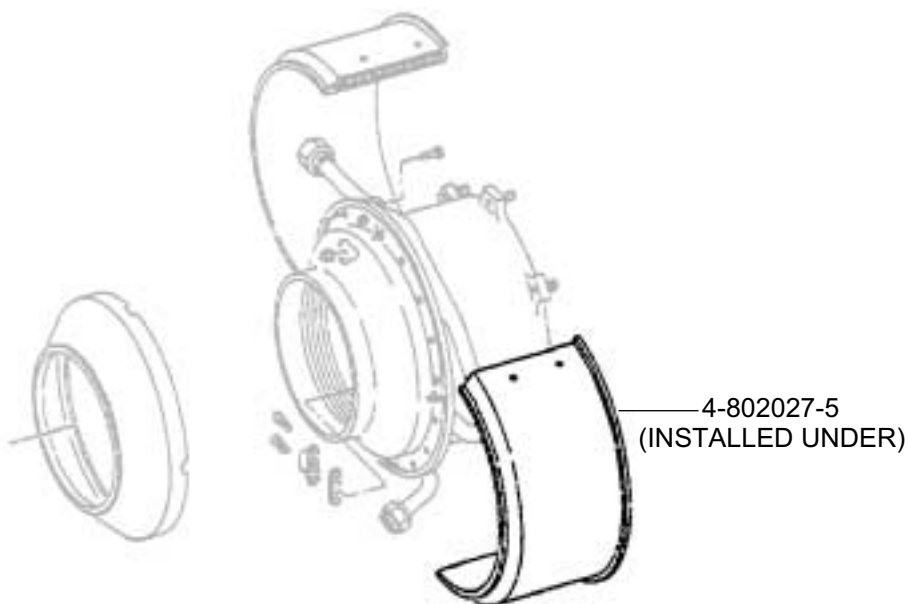
[See FAA/PMA Supplement](#)

IPC Reference:

CF6-50-72-58

Quantity Per Engine:

1



Engine Location:

Turbine Rear Frame

