

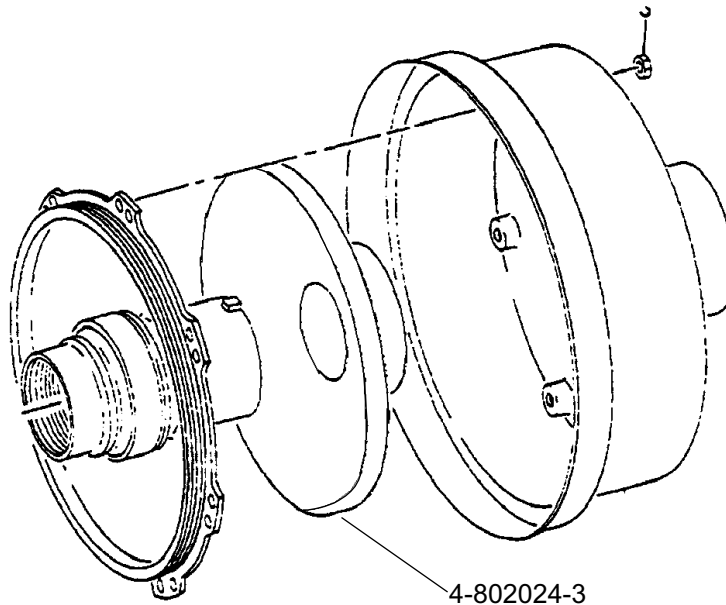
## BLANKET - NO. 7 BEARING SEAL

Thermal Structures Part Number 4-80204-3  
General Electric Part Number 9181M85P02

**Engine Eligibility:**  
[See FAA/PMA Supplement](#)

**IPC Reference:**  
CF6-50-72-50

**Quantity Per Engine:**  
1



**Engine Location:**  
Turbine Section

