

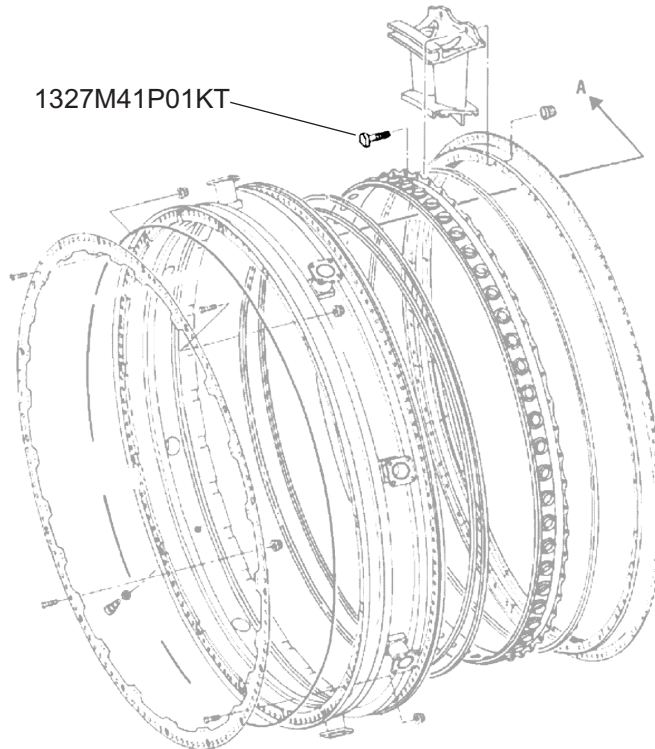
BOLT-SHLDR SLABBED HD

Turbine Kinetics Part Number 1327M41P01KT
General Electric Part Number 1327M41P01

Eligibility:
[See FAA/PMA Supplement](#)

IPC Reference:
CF6-80C2-72-52
CF6-80E1-72-52

Quantity:
From 48 to 192



Location:
Nozzle Assembly-HPT Stage 2

